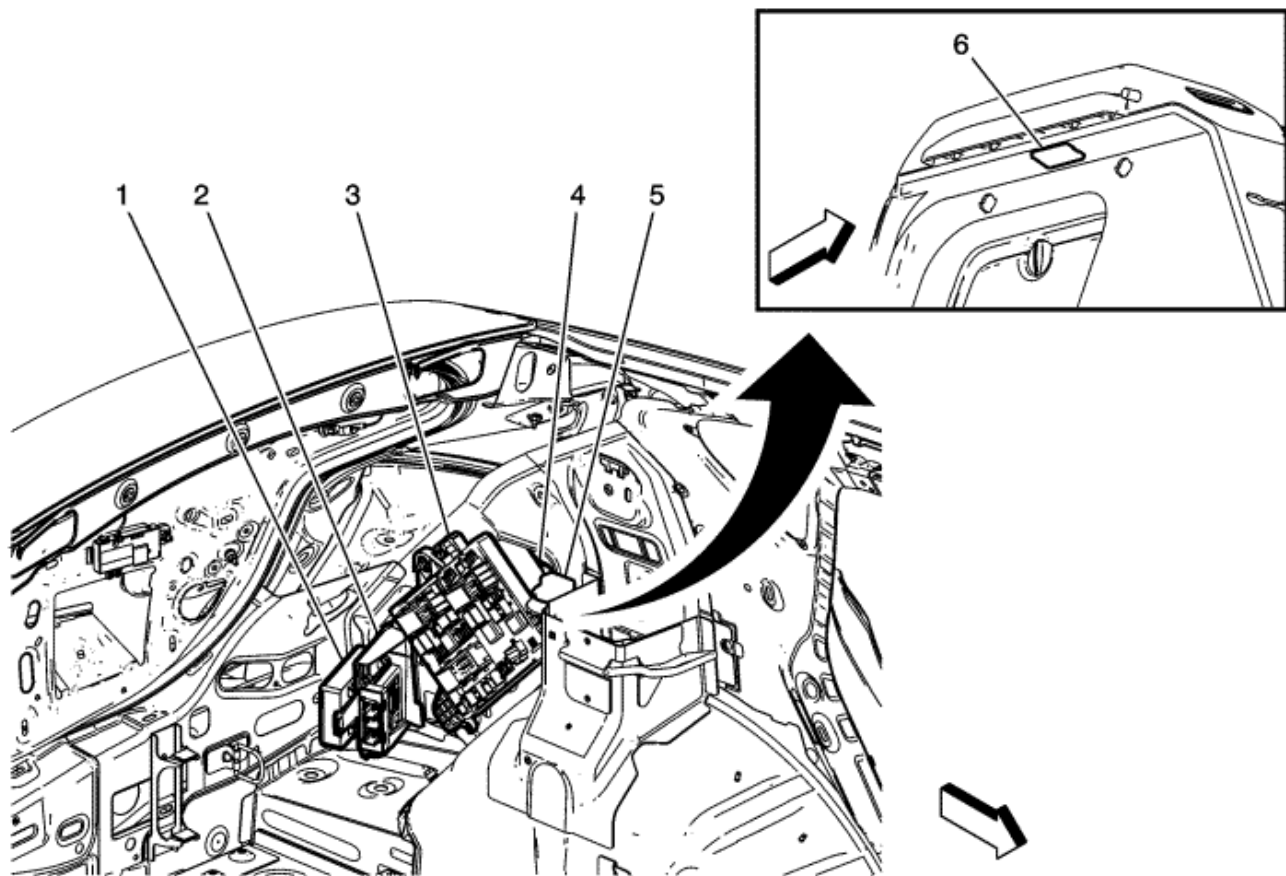


Luggage Compartment Components - Left Rear



- (1) K68 Trailer Lighting Control Module
- (2) K41 Parking Assist Control Module
- (3) X53A Fuse Block - Rear Body
- (4) K19 Suspension Control Module
- (5) B162R Vertical Body Acceleration Sensor - Rear
- (6) E8S Rear Compartment Courtesy Lamp