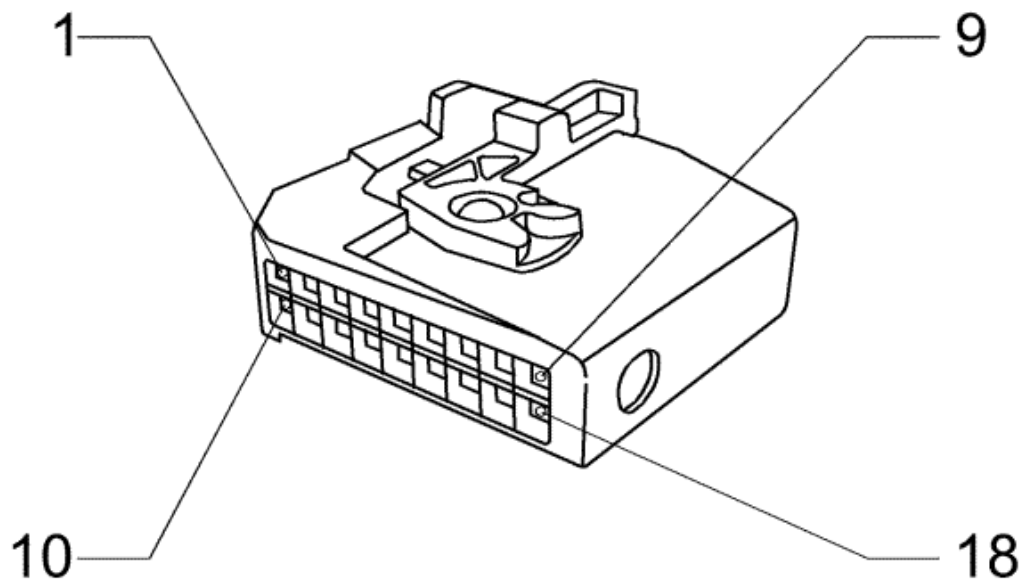


**K68 Trailer Lighting Converter X1****Connector Part Information**

- Harness Type: Body
- OEM Connector: ZF 18-11
- Service Connector: Pending
- Description: 18-Way F 0.64 Micro Quadlok Series (NA)

**Terminal Part Information**

- Terminated Lead: 13597855
- Release Tool: Pending
- Diagnostic Test Probe: Pending

**K68 Trailer Lighting Converter X1**

Pin	Wire	Circuit	Function
1	0.5 GN	5060	Low Speed GMLAN Serial Data
2	0.75 YE/GY	5187	Right Trailer Indicator Lamp
3	--	--	Not Used
4	0.75 BN/GY	5184	Left Trailer Park Lamp
5	0.75 BN/YE	5188	Trailer Brake Lamp
6	--	--	Not Used
7	0.75 GN/WH	5189	Trailer Reversing Light (D8G or VQ9)
8	0.75 YE/WH	5190	Trailer Fog Lamp
9	--	--	Not Used
10	0.75 BN/YE	5188	Trailer Brake Lamp
11	--	--	Not Used
12	0.5 GN/BU	5992	Trailer Connected Signal
13	0.75 VT/WH	639	Run/Crank Ignition 1 Voltage
14	0.5 WH	5065	Brake Lamp Relay Coil Control
15	--	--	Not Used
16	0.75 GY	5185	Right Trailer Park Lamp
17	0.75 BU/WH	5186	Left Trailer Indicator Lamp
18	--	--	Not Used