

Field Remedy: 2570

Subject: Opel Eye Switch in Steering Wheel Cruise Control Switch - Without Function

Models:

Engines:

Option:

Insignia 2010,Astra-J 2010	All,All	Front camera "Opel Eye".
----------------------------	---------	--------------------------

Complaint:

Opel Eye switch in steering wheel cruise control switch without function.

Cause:

Function is not available.

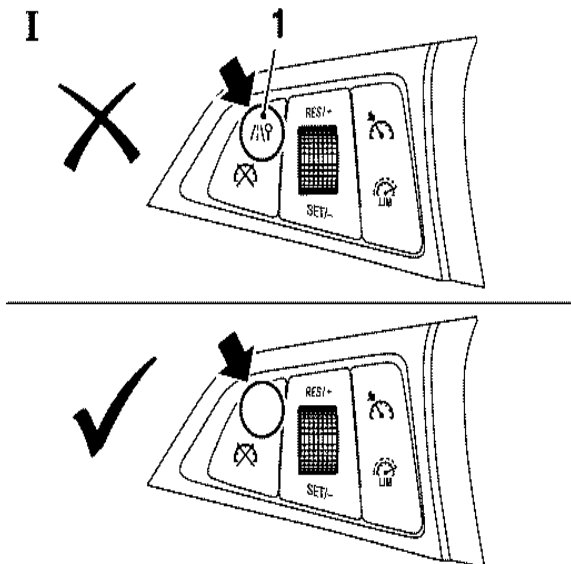
Production:

Remedy:

In case of customer complaint please explain to the customer, that the switch is not defect, but the function is not available. A replacement of the cruise control switch is therefore not required and should only be carried out on explicit customer request.

Note:

The upper part of (Picture I, 1) shows the cruise control switch with symbol for "Opel Eye" function. This function is not available. The lower part of (Picture I, arrow) shows cruise control switch without "Opel Eye" function, the lower switch is without "Opel Eye" function.



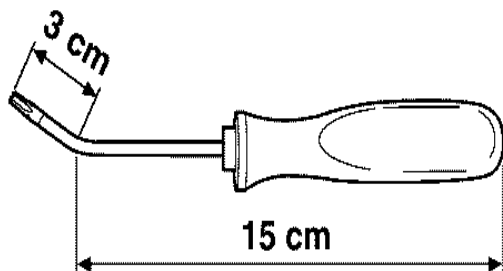
Working Procedure:

1. Production of special tool for airbag removal
 - Bend screwdriver for approx. 30°
 - (Picture II)

Note:

Special tool can be reused.

II



Note:

Follow the safety regulations:

- see Warnings and Cautions "SIR-Inflator Module Handling and Storage Warning", group "Preface", Service Instruction Astra J or Insignia (Document Number 92063606)
- see Warnings and Cautions "SIR-Warning", group "Preface", Service Instruction Astra J or Insignia (Document Number 92063615)

2. Disconnect battery

- Disconnect battery negative pole

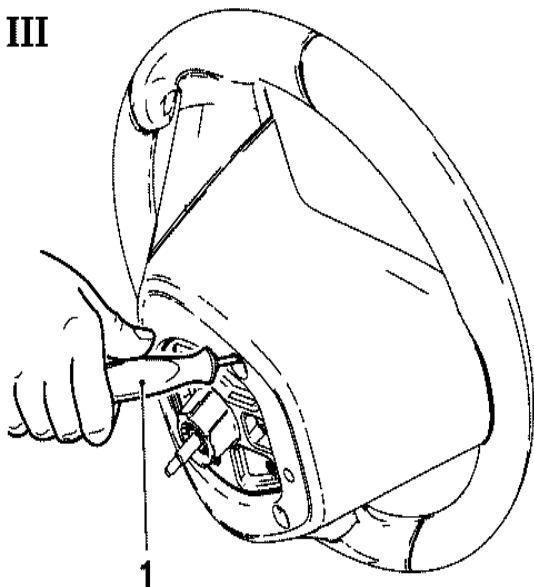
3. Deactivate SIR-System

- see working procedure "SIR Disabling and Enabling", group "Safety and Security", Service Instruction Astra J or Insignia (Document Number 92107228)

4. Remove steering wheel inflatable restraint module

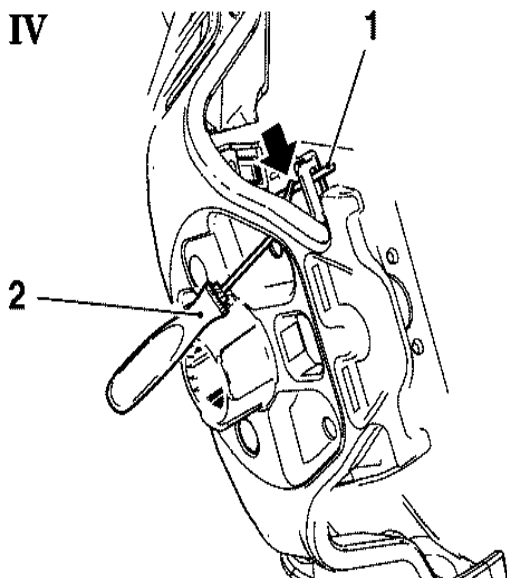
- Move the steering column to rear end and lowest position
- Turn steering wheel 120° to left
- Insert screwdriver (Picture III, 1) from rear side into hole of steering wheel

III



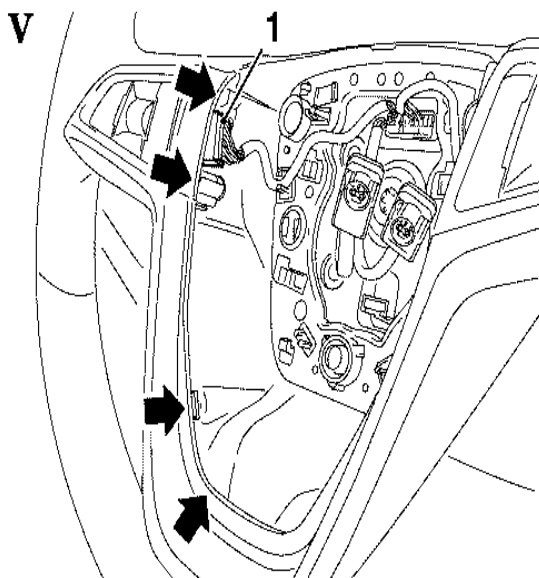
- Unlock airbag module retaining spring (Picture IV, 1) with screwdriver (Picture IV, 2) through levering in direction of arrow (Picture IV) from rear side of steering wheel
- Turn steering wheel in opposite direction and unlock the second airbag module retaining spring
- Unlock wiring harness connector
- Disconnect 2x airbag wiring harness connector
- Remove steering wheel airbag module and observe SIR-Inflator module handling and storage warning

IV



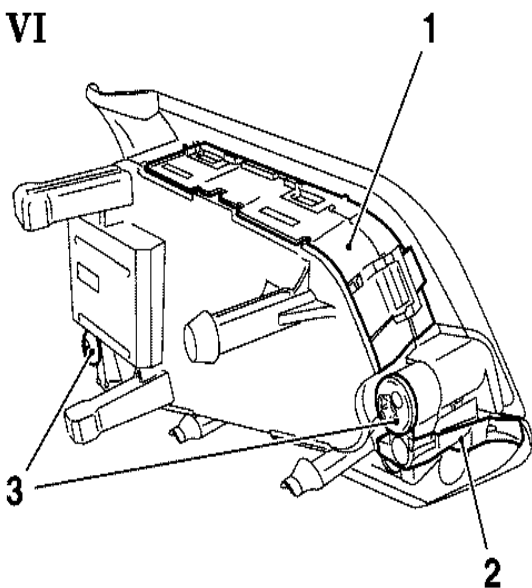
5. Loosen steering wheel cover

- Position steering wheel straightforward
- Disconnect wiring harness connector of cruise control switch (Picture V, 1)
- Loosen steering wheel cover left side with cruise control switch (Picture V, arrows)



6. Remove cruise control switch (Picture VI, 1)

- Remove cruise control switch from steering wheel cover (Picture VI, 2), Remove 2x screw (Picture VI, 3)



7. Install NEW cruise control switch

- Cut threads into screw holes of NEW cruise control switch with existing screws
- Install NEW cruise control switch to steering wheel cover, tighten 2x screw

8. Install steering wheel cover

- Install steering wheel cover with cruise control switch to steering wheel
- Connect wiring harness connector to cruise control switch

9. Install steering wheel airbag module

- Connect 2x airbag wiring harness connector
- Lock wiring harness connector
- Install steering wheel airbag module
- Move the steering column to original position

10. Activate SIR-System

- see working procedure "SIR Disabling and Enabling",
group "Safety and Security", Service Instruction Astra J
or Insignia
(Document Number 92107228)

11. Program volatile memories

Spare-Parts:	Part-No.:	Catalogue-No.:
Switch, Cruise Control (Black)	13293155	62 40 732
Switch, Cruise Control (Brown)	13293156	62 40 844

Labour Times:	TC:	Hours:
U3 257 00 Cruise control switch Replacement	90	0,5

The costs for this repair will be covered during the normal warranty.
The regular warranty procedure will apply.

FunctionalGroup:

C - Equipment/Windows,N - Electrical Equipment

Complaint Group:

13 - No/Poor Function

Trouble Code:

None

© 2010 ADAM OPEL AG. All Rights Reserved. The reproduction, distribution or modification is not permitted.