

Field Remedy: 2469

Subject: **Glued driveshaft - Missing service instruction**

Models:	Engines:	Option:
Insignia 2008...,Astra-J 2010...	A20DT A20DTC A20DTH A20DTJ A20DTL,A13DTE A17DTJ A17DTR A20DTH	Only vehicles with front wheel drive.

Complaint:	Drive shaft right side cannot be separated from intermediate shaft.
Cause:	Drive shaft right side is glued (Safety compound) with intermediate shaft.
Production:	

Remedy:

In case of repair remove the right drive shaft together with the intermediate shaft.

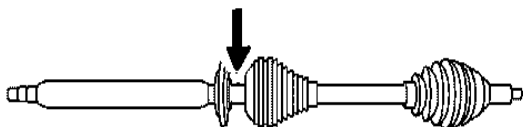
Important:
Drive shaft right side cannot be separated from the intermediate shaft.

Working Procedure:

1. Remove right drive shaft with intermediate shaft,
 - See working procedure "Front Wheel Drive Shaft Replacement-Right Side", group "Driveline/Axle", Service Instruction "of the affected model", (Document Number 92294031)
 - See working procedure "Intermediate Shaft Replacement", group "Driveline/Axle", Service Instruction "of the affected model", (Document Number 92157920)
 - Excerpt drive shaft with intermediate shaft through holder of the intermediate shaft.

Note:
New drive shaft and new intermediate shaft will be supplied as single parts and have to be glued (Pic I, arrow) together (Safety compound).

I

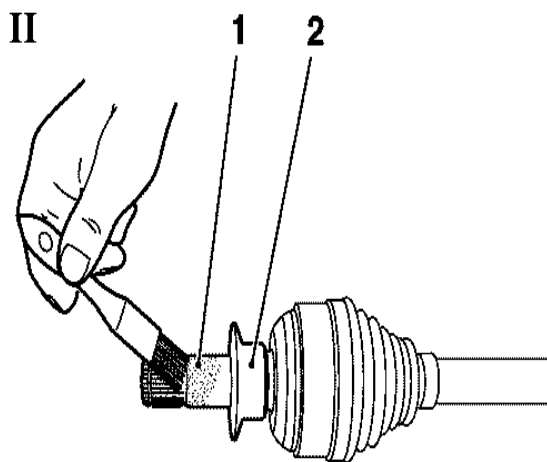


2. Adhesion of right drive shaft with intermediate shaft,

- Clean intermediate shaft and stud of drive shaft
- Mount oil slinger on inner stud of drive shaft
- Coat inner drive shaft stud with Safety compound
- Mount bearing and flange on intermediate shaft
- Plug drive shaft and intermediate shaft together.

Note:

Duration of Safety compound curing amounts at 21°C approx. 12 hours. Safety compound curing before or after the installation, when curing after installation the vehicle may not be driven, but it can be completed and be pushed.



3. Installation right drive shaft with intermediate shaft,

- Install drive shaft with intermediate shaft through holder of intermediate shaft
- See working procedure "Intermediate Shaft Replacement", group "Driveline/Axle", Service Instruction "of the affected model", (Document Number 92157920)
- See working procedure "Front Wheel Drive Shaft Replacement-Right Side", group "Driveline/Axle", Service Instruction "of the affected model", (Document Number 92294031).

Spare Parts:	Part-No.:	Catalogue-No.:
Safety compound	90542117	15 10 181

FunctionalGroup:

K - Clutch/Transmission

Complaint Group:

24 - Wrong or not mounted

Trouble Code:

None

© 2010 ADAM OPEL AG. All Rights Reserved. The reproduction, distribution or modification is not permitted.