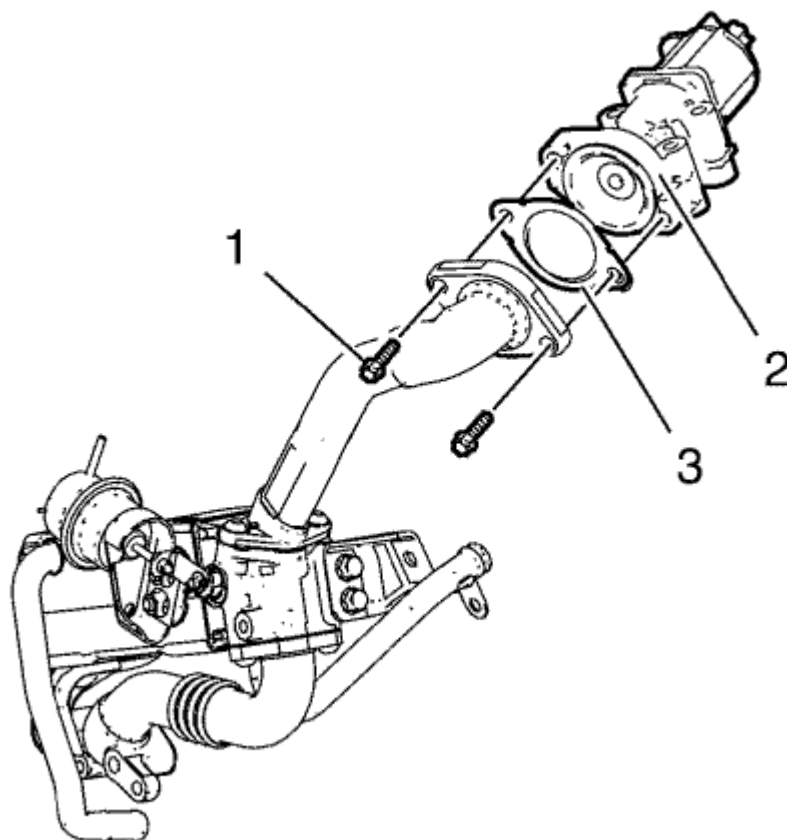


Exhaust Gas Recirculation Valve Cooler Disassemble - 1.7L Diesel LPL, LPV and LUB



1. Remove the 2 exhaust gas recirculation valve bolts (1).
2. Remove the exhaust gas recirculation valve (2).
3. Remove the gasket (3).